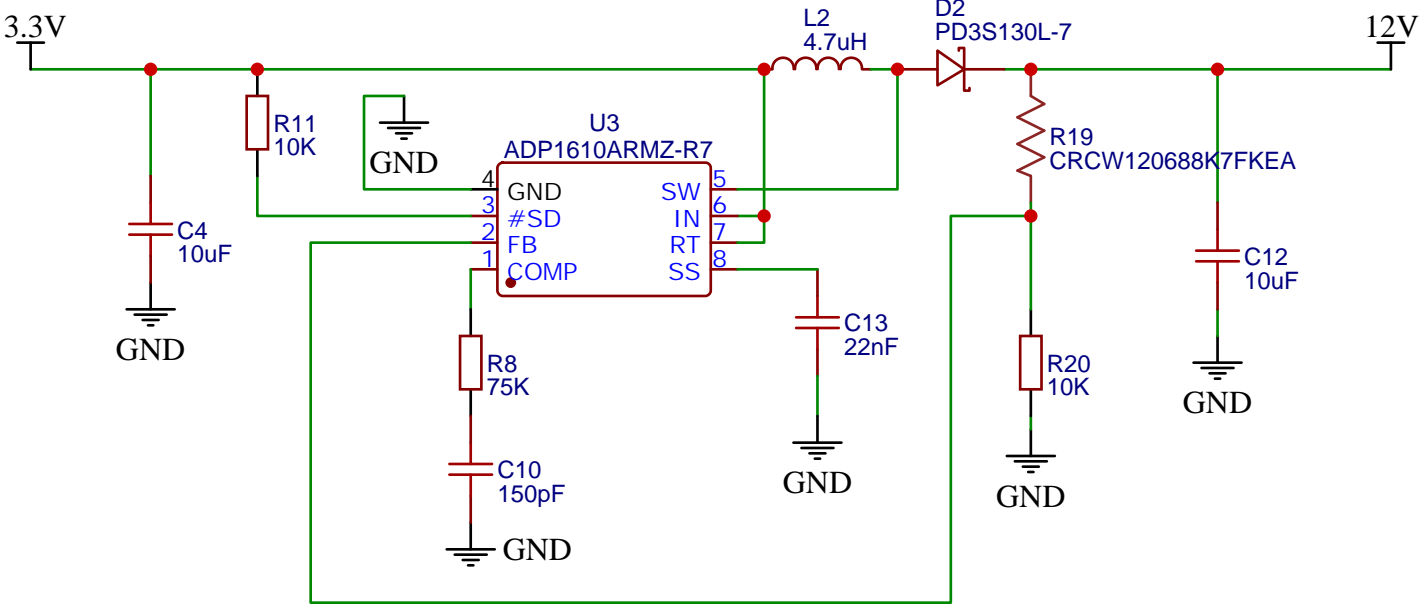
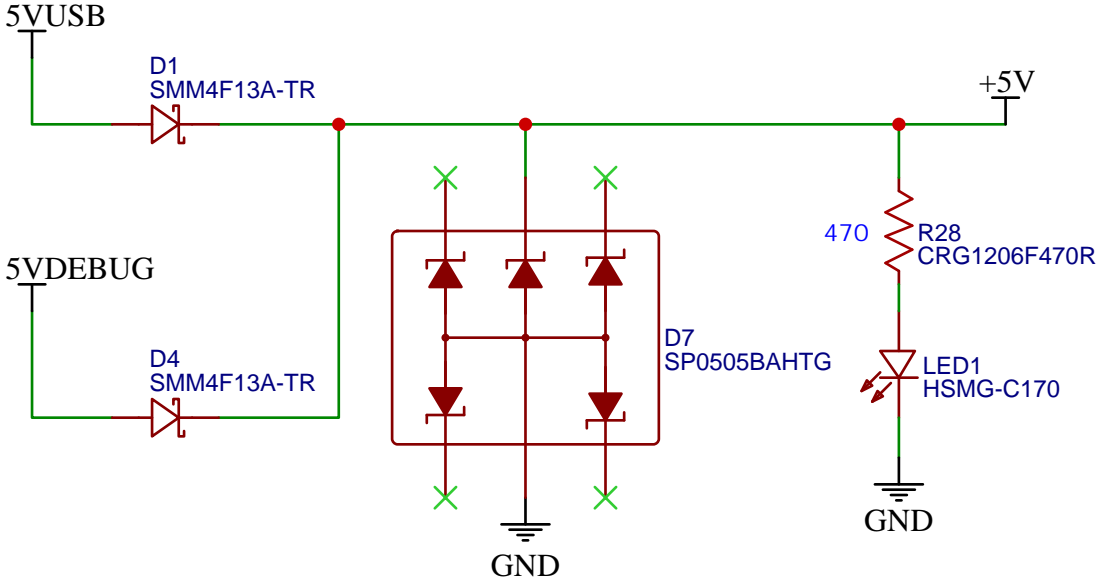
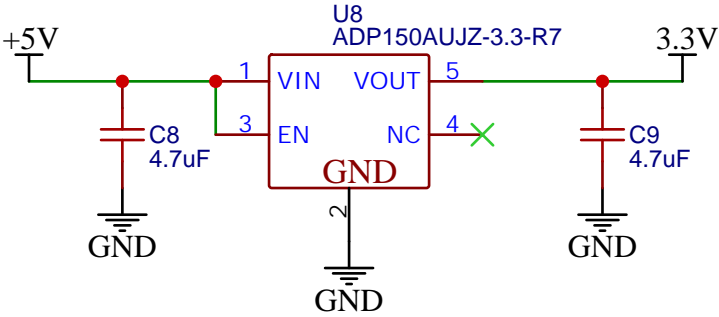


TITLE: Amplifiers		REV: 2.0
	Company: SPHEREA UK	Sheet: 1/1
	Date: 2021-10-01	Drawn By: Remi BEDARD

5V To 12 V Boost Converter

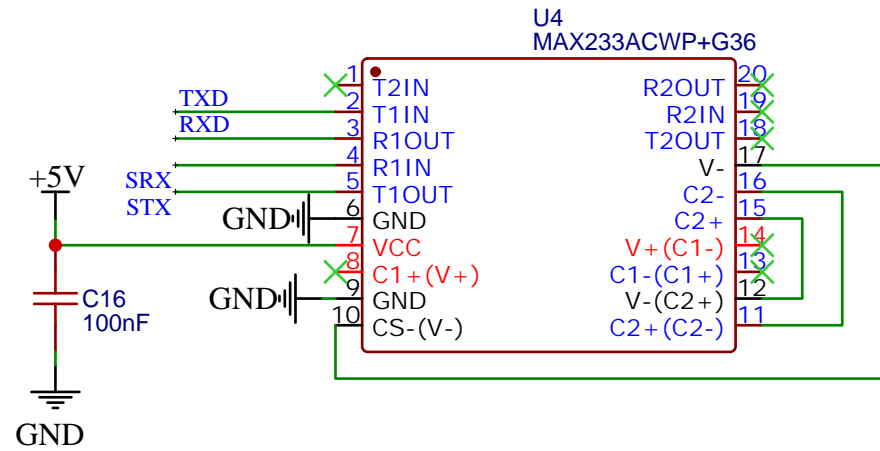


5V To 3.3 V Low Drop Converter

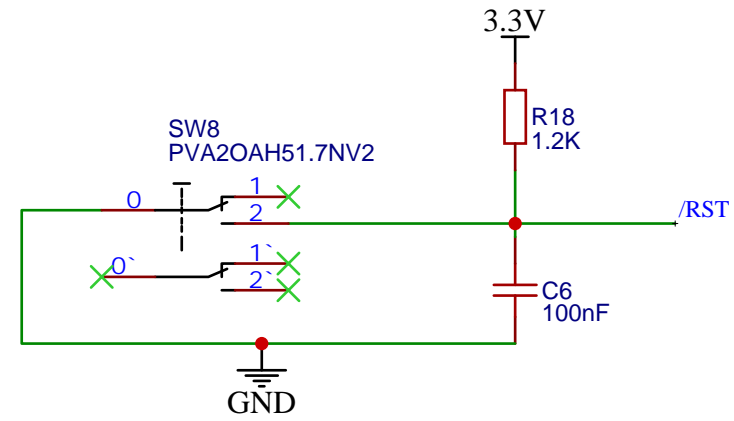


TITLE: Power		REV: 2.0
	Company: SPHEREA UK	Sheet: 1/1
	Date: 2021-10-04	Drawn By: Remi BEDARD

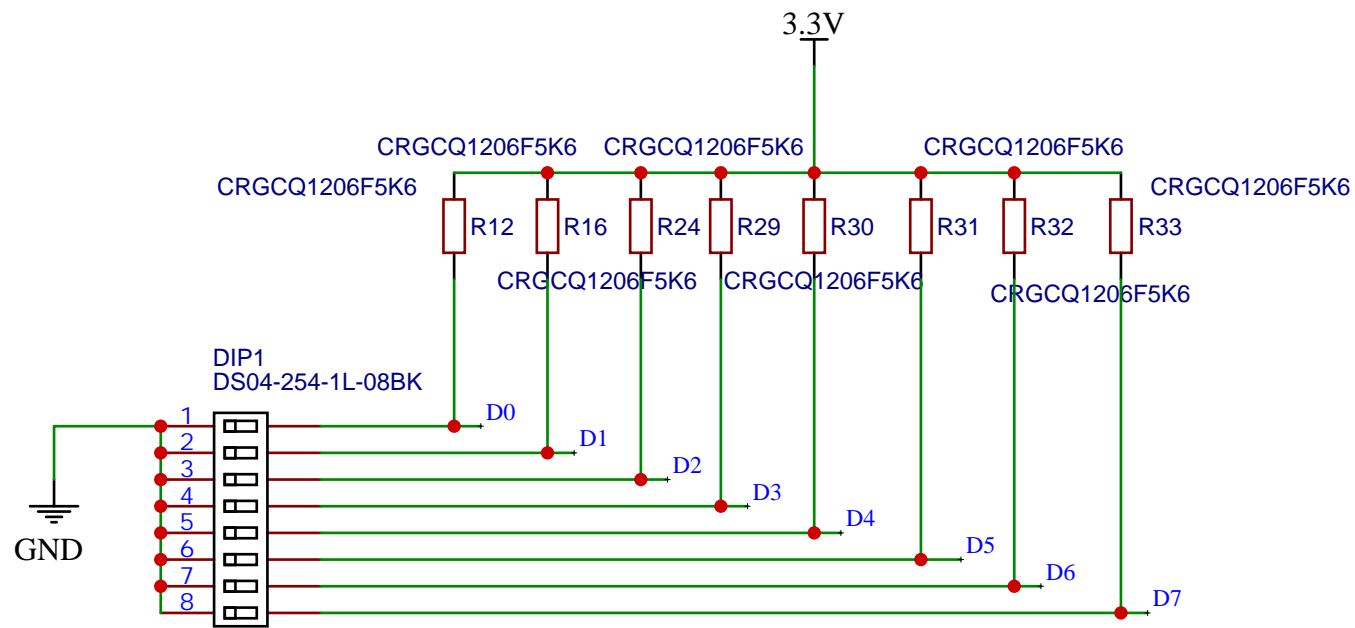
RS232 to UART Bridge



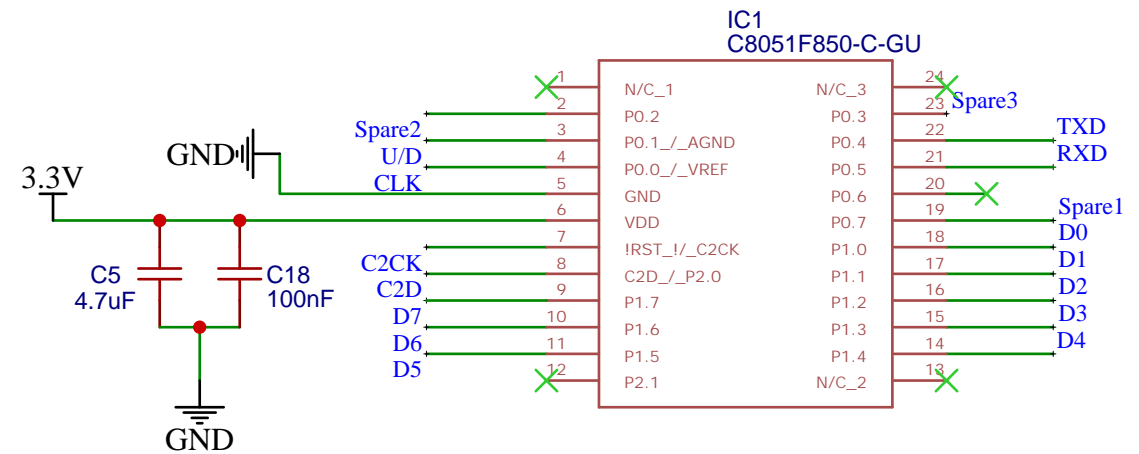
Reset



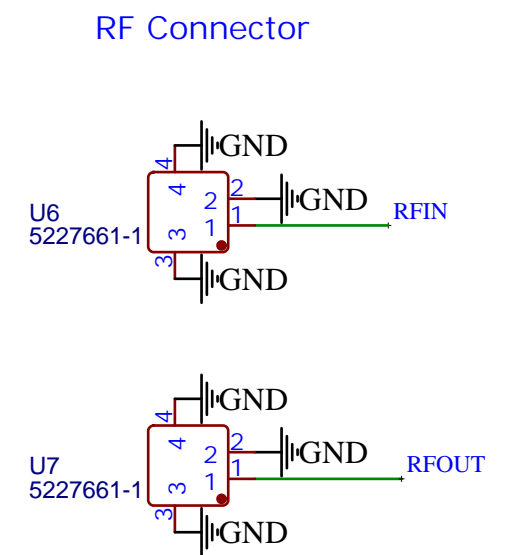
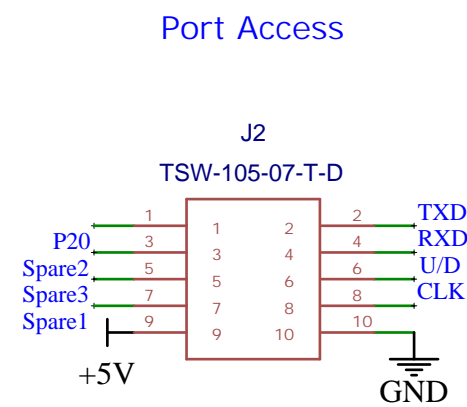
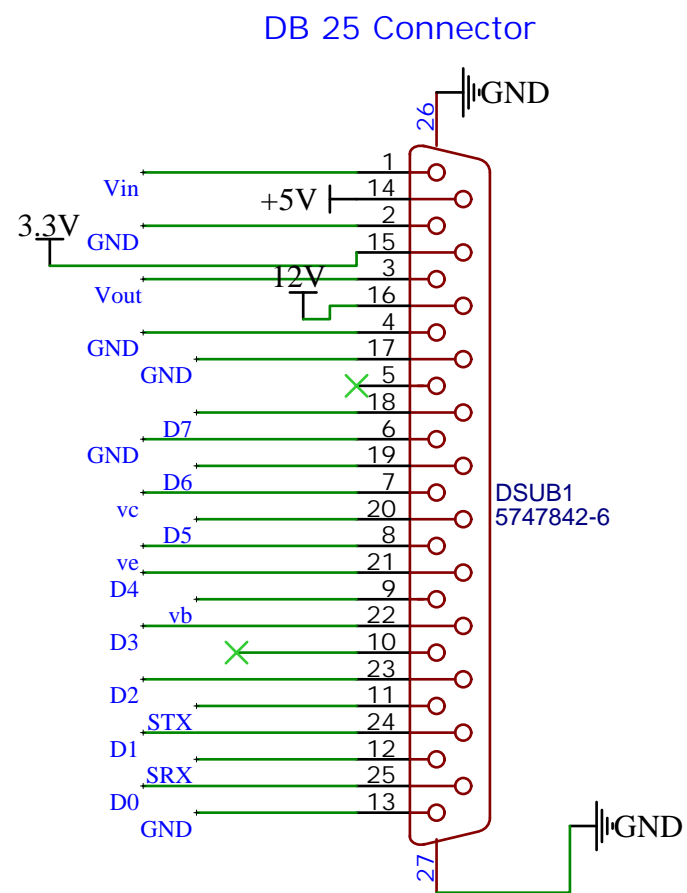
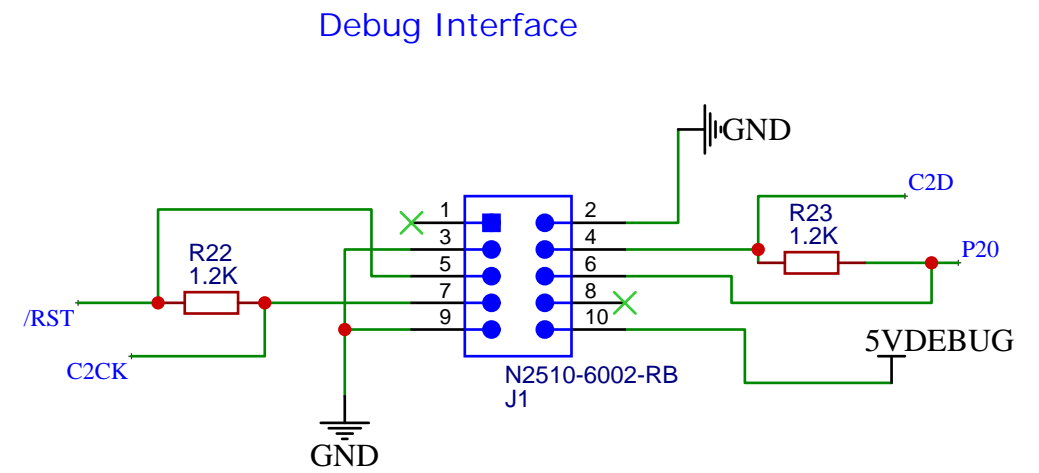
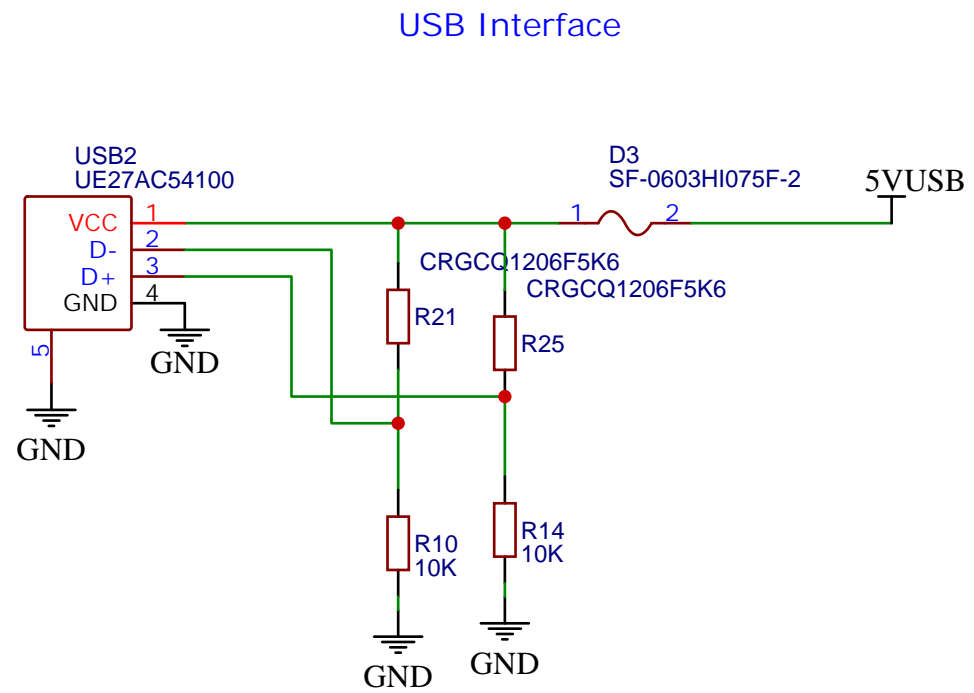
D0 to D7 manual setting



uC



TITLE: Control		REV: 2.0
	Company: SPHEREA UK	Sheet: 1/1
	Date: 2021-10-04	Drawn By: Remi BEDARD



TITLE: Connectors		REV: 2.0
EasyEDA	Company: Spherea UK	Sheet: 1/1
	Date: 2021-10-05	Drawn By: Remi BEDARD